

VE EXTERNAL PNEUMATIC VIBRATOR AND VICE CLAMP

Technical Data	
Parts manual	136.1219
Product manual	PM 12
Design File	DF

Customs Tariff Codes		
	Product	Spares
Pokers		
Frequency Convertors		

GCM Ltd

Ratcliffe Buildings,
Tuttle Hill,
Nuneaton,
Warwickshire,
United Kingdom.
CV10 0GA
Tel: 0044(0)24 7635 2540
Fax: 0044(0)24 7637 4349
Email: sales@gcmsales.com
Website: www.gcmsales.com

Dealer



VE EXTERNAL PNEUMATIC VIBRATOR MANUAL



WARRANTY

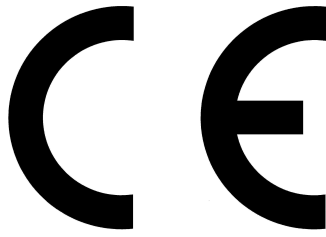
We warrant that the product is free from defects in materials and workmanship. If such a fault is found within six months from date of purchase from an approved dealer, the company will replace free of charge all failed components.

Any failed unit must be returned carriage paid to the factory for inspection.

The warranty does not cover failure attributable to wear and tear, accidental damage, site or operator misuse or lack of maintenance.

We will not accept units under warranty that third parties have attempted to repair or disassembled

VE EXTERNAL PNEUMATIC VIBRATOR MANUAL



EC DECLARATION OF CONFORMITY AND INCORPORATION

We Declare under our sole responsibility that the products
VE and VAQ Pneumatic external vibrators

To which this certificate relates are in conformity with the following standards:
EN 191/L, EN 292/2

Following the provisions of Directives:
89/39/EEC, 95/68/EEC

This equipment must not be put into service until the machinery into
which it is to be incorporated has been declared in conformity with
the provisions of the above mentioned directive.

Certified by

David Aston

General Manager

Date

Wednesday, December 12, 2007

VE EXTERNAL PNEUMATIC VIBRATOR MANUAL

Application

These units were primarily developed for use as shutter vibrators, tampers, and surface finishers for concrete. They are also effective as an aid to Industry for vibrating hoppers, compaction tables, chutes, knock-out grids and many other applications where high frequency is desirable.

Description

This extremely simple design high frequency vibrator attains maximum working forces with just two moving parts and five basic components.

Because it has no bearings usual maintenance and wear problems have been eliminated without sacrifice of high operating speeds.

Fixing is simply by two bolts.

When used on wooden shuttering or shuttering with wooded soldiers, the viceclamp can be used.

Accessories

Air supply hose assembly, comprising of 1m hose, on/off cock, quick release coupling with gauze and hose clips.

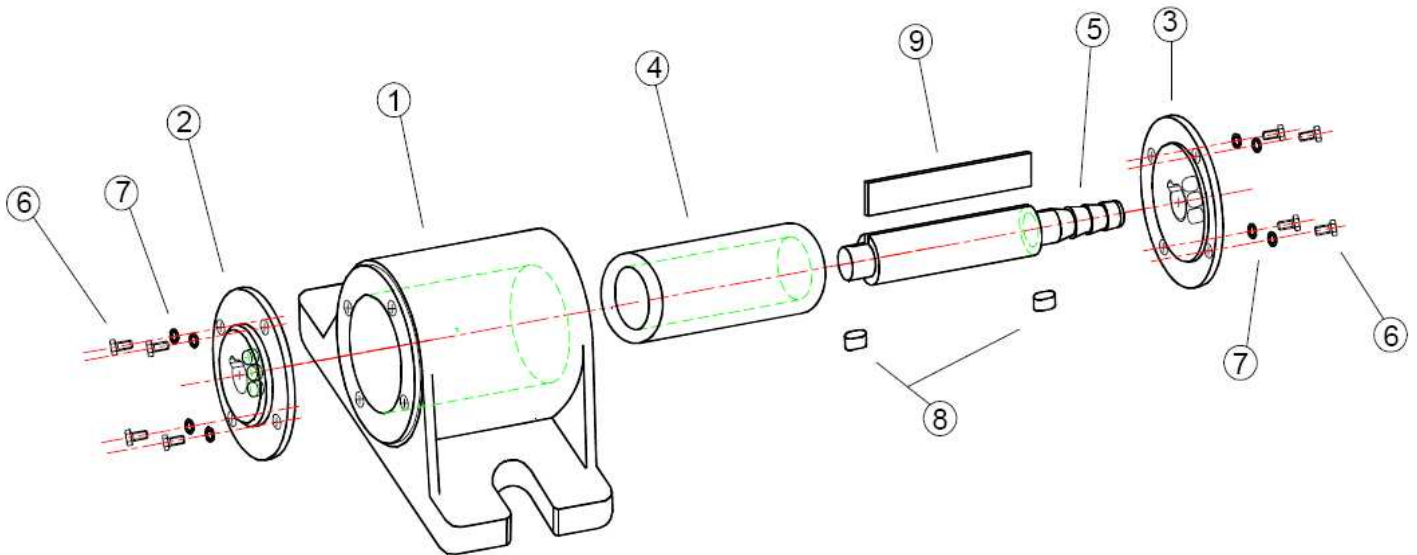
Viceclamp (see page 8)

Technical Characteristics

	VE 75	VE 120
Part Number	196.1050.75	196.1050.120
Centrifugal Force (Newtons)	7500	12000
Amplitude (mm)	1.2	1.5
Frequency (V.P.M)	13000	15000
Air Consumption (Litres/min)	1170	1170
Weight (Kgs)	9.6	10.2

VE EXTERNAL PNEUMATIC VIBRATOR MANUAL

Models VE 75 & 120 Parts List



Spares Parts

Ref.	Qty	Part Number	Description
1	1	646	Body
2	1	642	Front Plate
3	1	644	Rear Plate
4	1	533	Rotor 75
4	1	647	Rotor 120
5	1	643	Shaft
6	8	170	M8x25 Hex Bolts or Skt/Hd capscrews
7	8	169	M8 Spring washers
8	2	530	Shaft Key
9	1	532	Vane

VE EXTERNAL PNEUMATIC VIBRATOR MANUAL

Models VE75 & 120 User Guide

Installation & General Maintenance

- (1) Vibrators are delivered without lubrication. Ensure to add oil before starting vibrator.
- (2) Before connecting the vibrator, ensure it is clean from any dirt or water.
- (3) Once a day or every two hours of continuous use, introduce 4 cc of 20/30 S.A.E. non-detergent oil into the vibrator airline.
- (4) Ensure vibrators are secure bolted to sturdy flat mounting plates welded or bolted to your equipment. Check regularly that bolts remain tight.

Dismantling Instructions

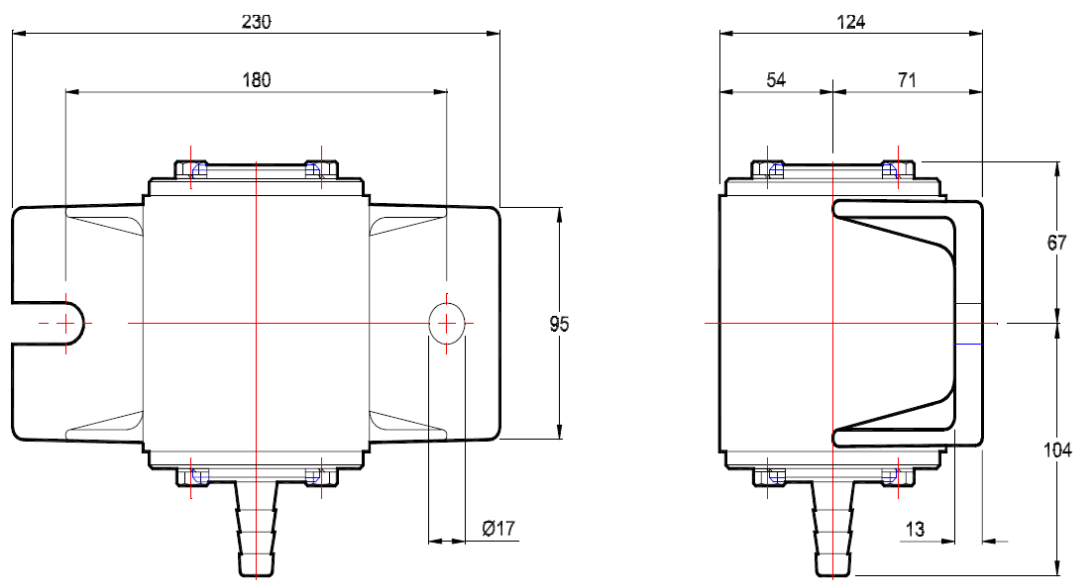
Remove hose from end of shaft (5). Remove Bolts (6) and spring washers (7). Using a soft drift, drive shaft (5) out of front plate (2). The shaft (5) will come out with the rear plate (3) still attached. The front plate (2) remains mounted in the vibrator body (3). Care must be taken not to drop and lose the keys (8) which may fall out of the shaft (5). Remove rotor (4) from the assembly. Clean all parts with paraffin and dry carefully. Check the length of the rotor (4) 100 - 0.06/0.08mm when new. Maximum wear of the rotors must not exceed 0.2mm as speed and power is greatly reduced. Check vane and replace with a new one if worn.

Re-assembly Instructions

When fitting a new vane (9) ensure that it fits freely but snug in the groove of the shaft (5). If necessary, carefully sand down the thickness with fine emery paper. The top of the vane must be flush or slightly under the lip of the groove in the shaft. Lightly oil all parts. Place the body (2), with front plate (2) attached, on a bench with front plate downwards. Locate rotor (4) centrally in body (2). After re-fitting vane (9) in the groove of the shaft (5) fit keys (8) and insert shaft (5) with rear plate (3) attached through the rotor and locate in the front plate (2). Check alignment of key (8) in front plate (2) and tap together. Refit bolts and washers. Refit hose.

NOTE

- Always ensure compressed air is off during installation or maintenance.**
- Always ensure only filtered air is used and the filter cleaned regularly.**
- Always check tightness of securing bolts regularly.**
- Always check tightness of hose connections regularly.**



VE EXTERNAL PNEUMATIC VIBRATOR MANUAL

Vice Clamp Safety notice and Parts List

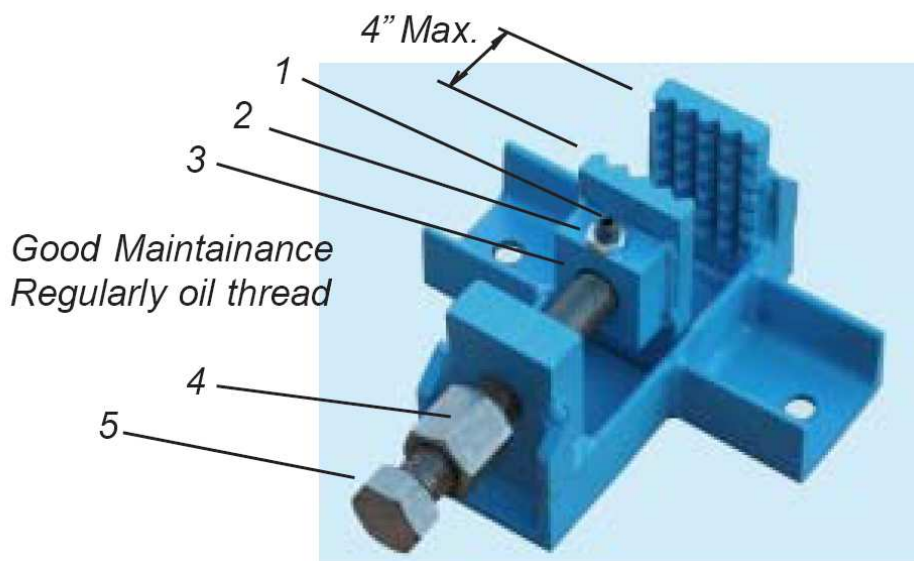
Alternative method of attaching vibrators on wooden shuttering using the GCM Vice Clamp.

IMPORTANT NOTICE when using vice clamps

MUST NOT BE USED ON STEEL DIRECT.

Vice clamps are for use on wooden shuttering only.
Attach vibrator using only M16 bolts, flat washers and spring washers or / and 'Nyloc' nuts.

CHECK TIGHTNESS OF BOLTS BEFORE USE AND REGULARLY DURING USE.



Spare Parts :

- 1. 38617 Dog point grubscrew***
- 2. 38625 Locking nut***
- 3. 38616 Moving jaw block***
- 4. 38250 Locking nut***
- 5. 38618 Clamping screw***



GCM Ltd

Ratcliffe Buildings,
Tuttle Hill,
Nuneaton,
Warwickshire,
United Kingdom.
CV10 0GA

Tel: 0044(0)24 7635 2540

Fax: 0044(0)24 7637 4349

Email: sales@gcmsales.com

Website: www.gcmsales.com

Dealer

Blank white area for dealer information.